
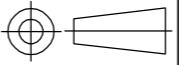


THIS DRAWING IS UNPUBLISHED. RELEASED FOR PUBLICATION
 © COPYRIGHT BY TYCO ELECTRONICS CORPORATION. ALL RIGHTS RESERVED.

LOC	DIST	REVISIONS			
P	LTR	DESCRIPTION	DATE	DWN	APVD
AD	38	SEE SHEET 1	-	-	-

FINISH	E	D	C	B	A	NO OF POS	ASSEMBLY PART NUMBER
△4	.125	.318	3.984	3.900	39	40	9-87348-0
			3.584	3.500	35	36	8--
			1.984	1.900	19	20	7--
			1.384	1.300	13	14	6--
			1.184	1.100	11	12	6--
			1.840	1.000	10	11	6--
			.984	.900	9	10	6--
			.784	.700	7	8	5--
			.584	.500	5	6	5--
			.484	.400	4	5	5--
			.384	.300	3	4	5--
			.284	.200	2	3	5--
			.184	.100	1	2	5--
△4	.125	.318	.084	0	0	1	5-87348-1

THIS DRAWING IS A CONTROLLED DOCUMENT.		DWN K HELM 6-89	 Tyco Electronics Corporation Harrisburg, Pa	
DIMENSIONS: INCHES		CHK R. FEIDT 6-89		
		APVD R. FEIDT 6-89	NAME ASSEMBLY, MOD II, HEADER, SINGLE ROW, .100 C/L, VERTICAL, .025 SQ POSTS	
TOLERANCES UNLESS OTHERWISE SPECIFIED:		PRODUCT SPEC	RESTRICTED TO	
0 PLC ± -		APPLICATION SPEC	SIZE A2	CAGE CODE 00779
1 PLC ± -		WEIGHT	DRAWING NO C=87348	
2 PLC ± -			SCALE 4:1	SHEET 2 OF 2
3 PLC ± .005			REV H	
4 PLC ± -				
ANGLES ± -				
FINISH SEE TABLE		CUSTOMER DRAWING		

87348

A